

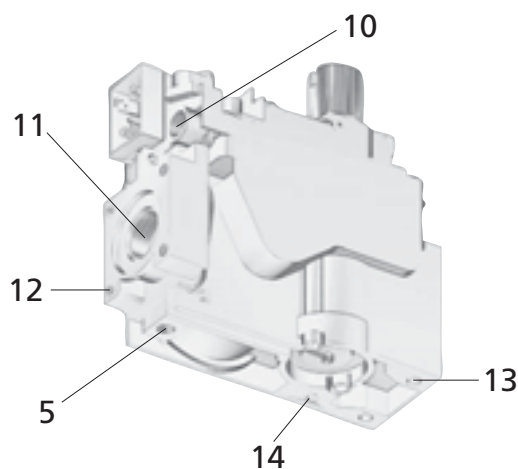
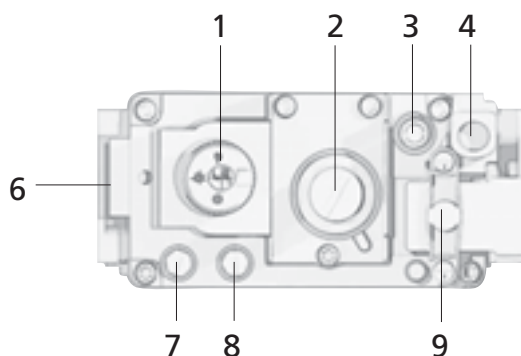
820 NOVA

MAIN FEATURES

- Control knob with Off, Pilot and On positions.
- Thermoelectric flame supervision device with re-start interlock.
- Near silent shut-off valve.
- Servo-controlled pressure regulator.
- Step opening ignition device (optional).
- Main gas flow control (optional).
- Pilot outlet with gas flow adjustment screw.
- Inlet and pilot filters.
- Inlet and outlet pressure test points.
- Threaded gas inlet and outlet with provision for flange connection.
- Connection for combustion chamber pressure regulator compensation.

DESCRIPTION

- 1 Control knob
- 2 Pressure regulator cap screw
- 3 Pilot gas rate adjuster
- 4 Thermocouple connection
- 5 Alternative thermocouple connection
- 6 Provision for accessories support bracket
- 7 Inlet pressure test point
- 8 Outlet pressure test point
- 9 Actuation valve
- 10 Pilot outlet
- 11 Main gas outlet
- 12 Holes (M5) for mounting flange
- 13 Supplementary fixing points for valve
- 14 Connection point for combustion chamber pressure regulator compensation



CODES

Codes	Ambient Temp. range [°C]	RoHS Version	TC connection	Inlet	Outlet	EV Electric supply	EV Class	Step-opening	Pressure regulator	Pressure regulator plug
0820003	-20÷60		M 9x1	RP 1/2"	RP 1/2"	220/240 V - 50 Hz	D	Standard-First level press. 3÷5 mbar duration 4÷9 sec	Standard 3-30 mbar	blind
0820009	0÷70		M 9x1	RP 1/2"	RP 1/2"	24 V - 50 Hz	D	No step opening	Standard 3-30 mbar	drilled
0820010	0÷70		M 9x1	RP 1/2"	RP 1/2"	220/240 V - 50 Hz	D	Standard-First level press. 3÷5 mbar duration 4÷9 sec	Standard 3-30 mbar	blind
0820011	0÷70		M 9x1	RP 1/2"	RP 1/2"	220/240 V - 50 Hz	D	Special-First level press. 2÷3mbar dur. 6÷14s drilled plug	Standard 3-30 mbar	drilled
0820012			M 9x1	RP 1/2"	RP 1/2"	240 V - 50 Hz		Standard-First level press. 3÷5 mbar duration 4÷9 sec	Standard 3-30 mbar	
0820013	0÷70		M 9x1	RP 1/2"	RP 1/2"	220/240 V - 50 Hz	D	Standard-First level press. 3÷5 mbar duration 4÷9 sec	Standard 3-30 mbar	blind
0820014	0÷70		M 9x1	RP 1/2"	RP 1/2"	220/240 V - 50 Hz	D	Special-First level press. 2÷3mbar dur. 6÷14s standard plug	Standard 3-30 mbar	blind
0820016	0÷70		M 9x1	RP 1/2"	RP 1/2"	24 V - 50 Hz	D	Special-First level press. 2÷3mbar dur. 6÷14s drilled plug	Standard 3-30 mbar	drilled
0820017	0÷70		M 9x1	RP 1/2"	RP 1/2"	220/240 V - 50 Hz	D	Standard-First level press. 3÷5 mbar duration 4÷9 sec	Standard 3-30 mbar	blind
0820018	0÷70		M 9x1	RP 1/2"	RP 1/2"	220/240 V - 50 Hz	D	No step opening	Standard 3-30 mbar	blind
0820019	0÷70		M 9x1	RP 1/2"	RP 1/2"	220/240 V - 50 Hz	D	Special-First level press. 6÷10 mbar duration 4÷9 s	Out of service with PR exclusion screw	exclusion RP
0820020	0÷70		11/32" ASA	RP 1/2"	RP 1/2"	220/240 V - 50 Hz	D	Standard-First level press. 3÷5 mbar duration 4÷9 sec	Standard 3-30 mbar	blind
0820021	0÷70		11/32" ASA	RP 1/2"	RP 1/2"	220/240 V - 50 Hz	D	Standard-First level press. 3÷5 mbar duration 4÷9 sec	Standard 3-30 mbar	blind
0820023			11/32" ASA	RP 1/2"	RP 1/2"	220/240 V - 50 Hz		Special-First level press. 6÷10 mbar duration 4÷9 s	Out of service with PR exclusion screw	
0820025	0÷70		11/32" ASA	RP 1/2"	RP 1/2"	24 V - 50 Hz	D	Standard-First level press. 3÷5 mbar duration 4÷9 sec	Standard 3-30 mbar	blind
0820026	0÷70		11/32" ASA	RP 1/2"	RP 1/2"	24 V - 50 Hz	D	Standard-First level press. 3÷5 mbar duration 4÷9 sec	Standard 3-30 mbar	blind
0820028	0÷70		11/32" ASA	RP 1/2"	RP 1/2"	24 V - 50 Hz	D	No step opening	Standard 3-30 mbar	blind
0820029			M 9x1	RP 1/2"	RP 1/2"	220/240 V - 50 Hz		Special-First level press. 1.2÷2.2 mbar duration 4÷9 s	Standard 3-30 mbar	
0820030			M 9x1	RP 1/2"	RP 1/2"	240 V - 50 Hz		Standard-First level press. 3÷5 mbar duration 4÷9 sec	Standard 3-30 mbar	
0820031	0÷70		M 9x1	RP 1/2"	RP 1/2"	220/240 V - 50 Hz	D	No step opening	5 - 50 mbar	blind
0820032	0÷70		M 9x1	RP 1/2"	RP 1/2"	220/240 V - 50 Hz	D	Special-First level press. 2÷3mbar dur. 6÷14s standard plug	5 - 50 mbar	blind
0820033	0÷70		11/32" ASA	RP 1/2"	RP 1/2"	220/240 V - 50 Hz	D	Special-First level press. 6÷10 mbar duration 4÷9 s	Out of service with PR exclusion screw	blind
0820034	0÷70		M 9x1	RP 1/2"	RP 1/2"	220/240 V - 50 Hz	D	Standard-First level press. 3÷5 mbar duration 4÷9 sec	5 - 50 mbar (set: out of service)	exclusion RP
0820037	0÷70		M 9x1	RP 1/2"	RP 1/2"	24 V - 50 Hz	D	No step opening	5 - 50 mbar	blind
0820042	0÷70		M 9x1	RP 1/2"	RP 1/2"	220/240 V - 50 Hz	D	No step opening	Standard 3-30 mbar	blind
0820050	0÷70		M 9x1	RP 1/2"	RP 1/2"	220/240 V - 50 Hz		Standard-First level press. 3÷5 mbar duration 4÷9 sec	Standard 3-30 mbar	blind
0820052	0÷70		11/32" ASA	RP 1/2"	RP 1/2"	220/240 V - 50 Hz		Standard-First level press. 3÷5 mbar duration 4÷9 sec	Standard 3-30 mbar	blind
0820053	0÷70		11/32" ASA	RP 1/2"	RP 1/2"	220/240 V - 50 Hz		Special-First level press. 2÷3mbar dur. 6÷14s drilled plug	Standard 3-30 mbar	drilled
0820054			M 9x1	RP 1/2"	RP 1/2"	220/240 V - 50 Hz		Standard-First level press. 3÷5 mbar duration 4÷9 sec	Standard 3-30 mbar	blind
0820055	0÷70		11/32" ASA	RP 1/2"	RP 1/2"	220/240 V - 50 Hz		Special-First level press. 7-10 mbar duration 4-9 s	Standard 3-30 mbar	blind
0820056	0÷70		11/32" ASA	RP 1/2"	RP 1/2"	220/240 V - 50 Hz		Special-First level press. 7-10 mbar duration 4-9 s	Standard 3-30 mbar	blind
0820060	0÷70		M 9x1	RP 1/2"	RP 1/2"	220 V - 60 Hz	D	Standard-First level press. 3÷5 mbar duration 4÷9 sec	Standard 3-30 mbar	blind
0820062			11/32" ASA	RP 1/2"	RP 1/2"	220/240 V - 50 Hz		No step opening	5 - 50 mbar	
0820063			11/32" ASA	RP 1/2"	RP 1/2"	220/240 V - 50 Hz		Standard-First level press. 3÷5 mbar duration 4÷9 sec	5 - 50 mbar	
0820125	0÷70		11/32" ASA	RP 1/2"	RP 1/2"	24 V - 50 Hz	D	Standard-First level press. 3÷5 mbar duration 4÷9 sec	Standard 3-30 mbar	blind
0820126	0÷70		11/32" ASA	RP 1/2"	RP 1/2"	24 V - 50 Hz	D	Special-First level press. 2÷3mbar dur. 6÷14s standard plug	Standard 3-30 mbar	blind
0820301	0÷70		M 9x1	RP 1/2"	RP 1/2"	Millivoltage version	/	No step opening	5 - 50 mbar (set: out of service)	blind
0820302			M 9x1	RP 1/2"	RP 1/2"	Millivoltage version		No step opening	Standard 3-30 mbar	
0820303	0÷70		M 9x1	RP 1/2"	RP 1/2"	Millivoltage version	/	Standard-First level press. 3÷5 mbar duration 4÷9 sec	Standard 3-30 mbar	blind
0820331			M 9x1	RP 1/2"	RP 1/2"	Millivoltage version		No step opening	Manual HI-LO 25% for LPG (Europe version)	
0820332			M 9x1	RP 1/2"	RP 1/2"	Millivoltage version		No step opening	Manual HI-LO 33% for N. G. (Europe version)	



Codes	Ambient Temp. range [°C]	RoHS Version	TC connection	Inlet	Outlet	EV Electric supply	EV Class	Step-opening	Pressure regulator	Pressure regulator plug
0820333			M 9x1	RP 1/2"	RP 1/2"	Millivoltage version		Standard-First level press. 3÷5 mbar duration 4÷9 sec	Manual HI-LO 20% for N. G. (Europe version)	
0820522	0÷70		11/32" ASA	1/2" NPT	1/2" NPT	24 V - 60 Hz	/	Standard-First level press. 3÷5 mbar duration 4÷9 sec	N. G. version (set at 3.5" Pi=7" Q=30000 Btu)	blind
0820605			11/32" ASA	3/8" NPT	3/8" NPT	Millivoltage version		No step opening	Manual HI-LO NG (set at 3.8" Pi=7" Q=30000 Btu) LO 1.1"	
0820615			M 8x1	3/8" NPT	3/8" NPT	Millivoltage version		No step opening	LPG version (set at 10" Pi=12" Q=30000 Btu)	
0820616			M 8x1	3/8" NPT	3/8" NPT	Millivoltage version		No step opening	N. G. version (set at 3.5" Pi=7" Q=30000 Btu)	
0820617			11/32" ASA	3/8" NPT	3/8" NPT	Millivoltage version		No step opening	LPG version (set at 10" Pi=12" Q=30000 Btu)	
0820618			11/32" ASA	3/8" NPT	3/8" NPT	Millivoltage version		No step opening	N. G. version (set at 3.5" Pi=7" Q=30000 Btu)	
0820634			11/32" ASA	3/8" NPT	3/8" NPT	Millivoltage version		No step opening	Manual HI-LO 33% for N. G. (set at 3.5" Pi=7" Q=30000 Btu)	
0820635			11/32" ASA	3/8" NPT	3/8" NPT	Millivoltage version		No step opening	Manual HI-LO 20% for N. G. (set at 3.5" Pi=7" Q=30000 Btu)	
0820636			M 8x1	3/8" NPT	3/8" NPT	Millivoltage version		No step opening	Manual HI-LO 25% for LPG (set at 10" Pi=12" Q=30000 Btu)	
0820637			M 8x1	3/8" NPT	3/8" NPT	Millivoltage version		No step opening	Manual HI-LO 33% for N. G. (set at 3.5" Pi=7" Q=30000 Btu)	
0820638			M 8x1	3/8" NPT	3/8" NPT	Millivoltage version		No step opening	Manual HI-LO 20% for N. G. (set at 3.5" Pi=7" Q=30000 Btu)	
0820639			11/32" ASA	3/8" NPT	3/8" NPT	Millivoltage version		No step opening	Manual HI-LO 25% for LPG (set at 10" Pi=12" Q=30000 Btu)	
0820640			11/32" ASA	3/8" NPT	3/8" NPT	Millivoltage version		No step opening	Manual HI-LO 33% for N. G. (set at 3.5" Pi=7" Q=30000 Btu)	
0820644			11/32" ASA	3/8" NPT	3/8" NPT	Millivoltage version		No step opening	Manual HI-LO NG (set at 3.8" Pi=7" Q=30000 Btu) LO 1.1"	
0820645			11/32" ASA	3/8" NPT	3/8" NPT	Millivoltage version		No step opening	Manual HI-LO LPG (set at 11" Pi=16" Q=30000 Btu) LO 2.9"	
0820646			M 8x1	3/8" NPT	3/8" NPT	Millivoltage version		No step opening	Manual HI-LO 33% for N. G. (set at 5" Pi=7" Q=30000 Btu)	
0820647			M 8x1	3/8" NPT	3/8" NPT	Millivoltage version		No step opening	Manual HI-LO LPG (set at 10" Pi=12" Q=30000 Btu) LO 3.6"	
0820648			M 8x1	3/8" NPT	3/8" NPT	Millivoltage version		No step opening	Manual HI-LO NG (set at 3.5" Pi=7" Q=30000 Btu) LO 1.3"	
0820651			11/32" ASA	3/8" NPT	3/8" NPT	Millivoltage version		No step opening	Manual HI-LO 25% for LPG (set at 10" Pi=12" Q=30000 Btu)	
0820652			11/32" ASA	3/8" NPT	3/8" NPT	Millivoltage version		No step opening	Manual HI-LO 33% for N. G. (set at 3.5" Pi=7" Q=30000 Btu)	
0820653			11/32" ASA	3/8" NPT	3/8" NPT	Millivoltage version		No step opening	Manual HI-LO LPG (set at 10" Pi=12" Q=30000 Btu) LO 3.6"	
0820654			11/32" ASA	3/8" NPT	3/8" NPT	Millivoltage version		No step opening	Manual HI-LO NG (set at 3.5" Pi=7" Q=30000 Btu) LO 0.9"	
0820656			11/32" ASA	3/8" NPT	3/8" NPT	Millivoltage version		No step opening	N. G. version (set at 3.5" Pi=7" Q=30000 Btu)	
0820657			11/32" ASA	3/8" NPT	3/8" NPT	Millivoltage version		No step opening	LPG version (set at 10" Pi=12" Q=30000 Btu)	
0820658			11/32" ASA	1/2" NPT	1/2" NPT	Millivoltage version		No step opening	N. G. version (set at 4" Pi=7" Q=100000 Btu)	

Codes	Ambient Temp. range [°C]	RoHS Version	TC connection	Inlet	Outlet	EV Electric supply	EV Class	Step-opening	Pressure regulator	Pressure regulator plug
0820659			11/32" ASA	1/2" NPT	1/2" NPT	Millivoltage version		No step opening	LPG version (set at 11" Pi=12" Q=100000 Btu)	
0820662			11/32" ASA	3/8" NPT	3/8" NPT	Millivoltage version		No step opening	N. G. version (set at 3.5" Pi=7" Q=30000 Btu) Conv. to LPG	
0820703			11/32" ASA	3/8" NPT	3/8" NPT	Millivoltage version		No step opening	Manual HI-LO NG (set at 3.5" Pi=7" Q=30000 Btu) LO 0.9"	
0820704			11/32" ASA	3/8" NPT	3/8" NPT	Millivoltage version		No step opening	Manual HI-LO 33% for N. G. (set at 3.5" Pi=7" Q=30000 Btu)	
0820705			11/32" ASA	3/8" NPT	3/8" NPT	Millivoltage version		No step opening	Manual HI-LO 25% for LPG (set at 10" Pi=12" Q=30000 Btu)	
0820706			11/32" ASA	3/8" NPT	3/8" NPT	Millivoltage version		No step opening	Manual HI-LO 20% NG (set at 3.5" Pi=7" Q=30000 Btu) Blue dot	
0820707			11/32" ASA	3/8" NPT	3/8" NPT	Millivoltage version		No step opening	Manual HI-LO LPG (set at 10" Pi=12" Q=30000 Btu) LO 3.6"	
0820708			11/32" ASA	3/8" NPT	3/8" NPT	Millivoltage version		No step opening	Manual HI-LO NG (set at 3.5" Pi=7" Q=30000 Btu) LO 1.3"	
0820805			11/32" ASA	3/8" NPT	3/8" NPT	Millivoltage version		No step opening	NG 3.8"-1.1" & LPG 11-2.9"	
0820844			11/32" ASA	3/8" NPT	3/8" NPT	Millivoltage version		No step opening	NG 3.8"-1.1" & LPG 11-2.9"	
0820852			11/32" ASA	3/8" NPT	3/8" NPT	Millivoltage version		No step opening	NG 3.5"-1.6" & LPG 10"-6.3"	
0820880			11/32" ASA	3/8" NPT	3/8" NPT	Millivoltage version		No step opening	NG 3.5"-1.3" & LPG 10"-5.2"	

Distributor: CALOR SRL
Str. Progresului nr. 30-40, sector 5, Bucuresti
tel: 021.411.44.44, fax: 021.411.36.14
www.calorserv.ro - www.calor.ro